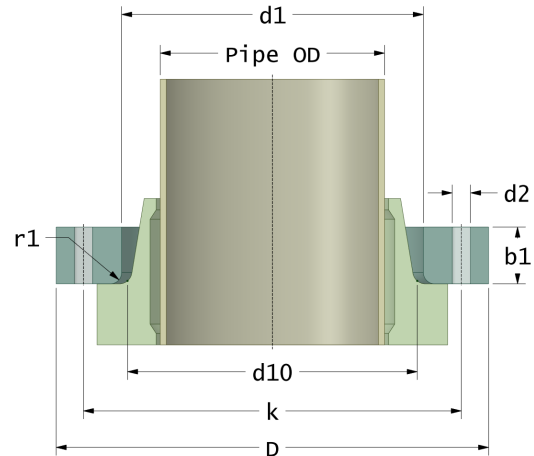


Backing Rings for GRP Pipes

Drilling Standard: JIS B2220 30K



#	DN (mm)	Pmax (bar)	D (mm)	d1 (mm)	d10 (mm)	r1 (mm)	k (mm)	Holes (no.)	d2 (mm)	b1 (mm)	Article Number
1	150	25	325	193	190	6	275	12	27	46	BR-150-193-25/30K
2	150	32	325	193	190	6	275	12	27	50	BR-150-193-32/30K
3	200	25	380	250	246	6	320	12	27	48	BR-200-250-25/30K
4	200	32	380	250	246	6	320	12	27	52	BR-200-250-32/30K
5	250	25	450	304	300	6	390	12	33	48	BR-250-304-25/30K
6	250	32	450	304	300	6	390	12	33	55	BR-250-304-32/30K
7	300	25	540	364	358	7	450	16	33	57	BR-300-364-25/30K
8	300	32	540	364	358	7	450	16	33	60	BR-300-364-32/30K
9	350	25	585	414	408	8	495	16	33	62	BR-350-414-25/30K
10	350	32	585	422	416	9	495	16	33	70	BR-350-422-32/30K
11	400	25	640	478	472	10	560	16	39	73	BR-400-478-25/30K
12	400	32	640	478	472	10	560	16	39	74	BR-400-478-32/30K

Disclaimer

Whilst every care is taken to ensure that the information on this website is complete and accurate, the Rotec Composite Group BV cannot accept responsibility for any omissions or inaccuracies or for any consequences arising therefrom. By using this website, the user accepts the terms of this disclaimer.

23-08-2023