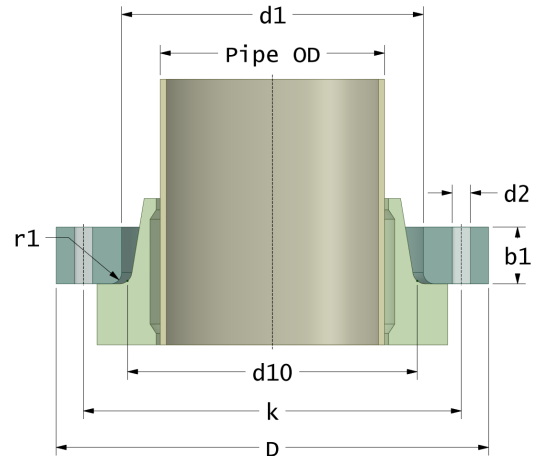
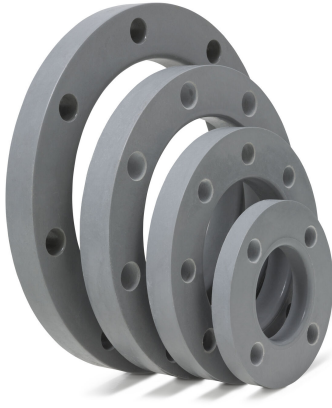


## Backing Rings for GRP Pipes

Drilling Standard: JIS B2220 5K



#	DN (mm)	Pmax (bar)	D (mm)	d1 (mm)	d10 (mm)	r1 (mm)	k (mm)	Holes (no.)	d2 (mm)	b1 (mm)	Article Number
1	150	6	265	189	186	5	230	8	19	30	BR-150-189-6/5K
2	600	3	784	653	649	9	715	20	27	34	BR-600-653-3/5K
3	600	6	784	653	649	9	715	20	27	48	BR-600-653-06/5K
4	1100	6	1355	1152	1142	8	1240	28	33	84	BR-1100-1152-6/5K

### Disclaimer

Whilst every care is taken to ensure that the information on this website is complete and accurate, the Rotec Composite Group BV cannot accept responsibility for any omissions or inaccuracies or for any consequences arising therefrom. By using this website, the user accepts the terms of this disclaimer.

23-08-2023